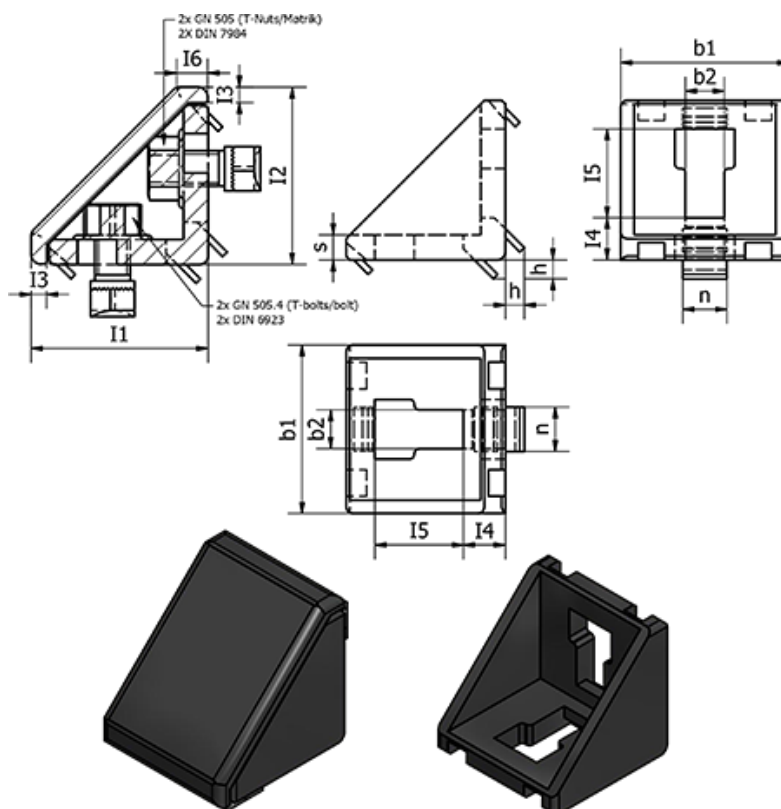


Article number: 2096045104545ASR

Description: Angle pieces for profile systems - GN 960-45-10-45-45-A-SR

Measures



b1 = 43	I6	= 11.5
b2 = 8.5	n	= 10
h = 4.1	s	= 9.7
I1 = 45	Weight (g)	= 49
I2 = 45		
I3 = 4		
I4 = 15.7		
I5 = 18.7		